

2400 BOUNDARY ROAD  
 BURNABY B.C. V5M3Z3  
 CANADA

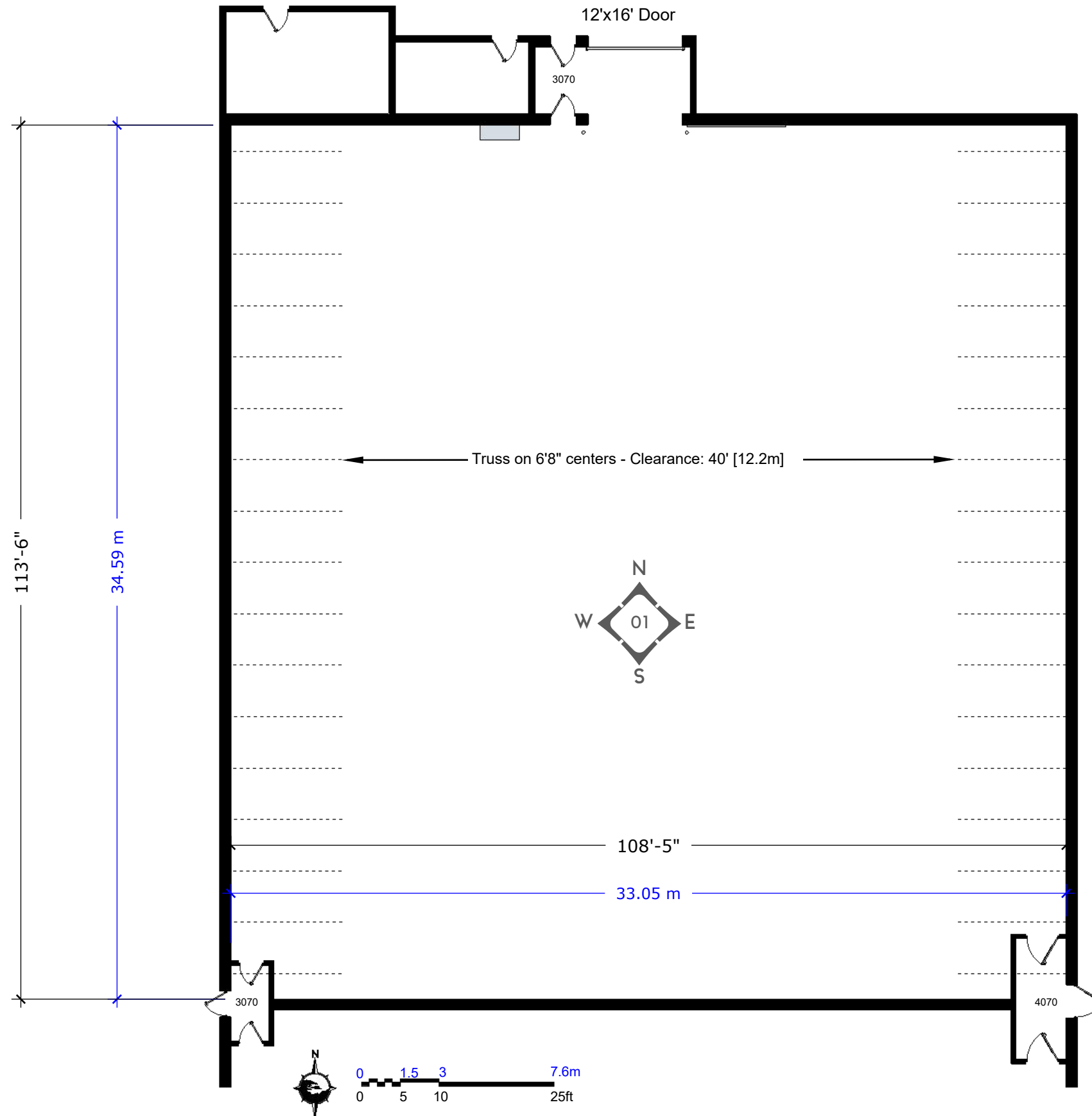
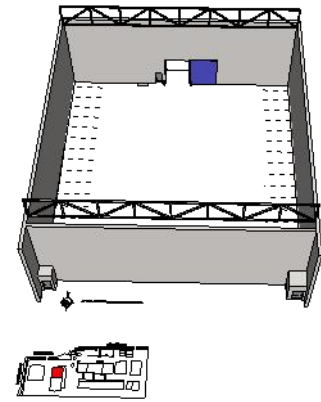
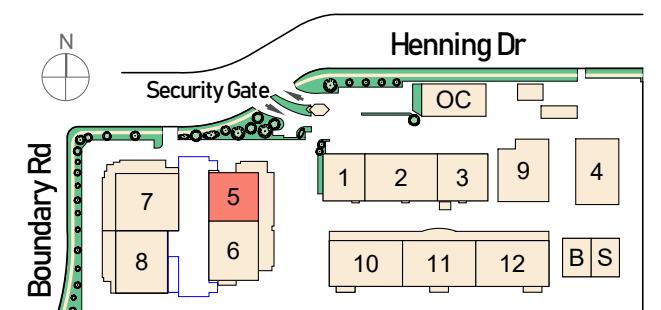
T: 604.482.2000  
 F: 604.482.2007

## SOUND STAGE: 5

### FEATURES

- 12,500 sq.ft. [1161.3m sq.]
- Soundproof
- Elephant Doors
- 3200amps 120/208v
- GRID = 4,600lbs./ point on Truss
- Interior is checkered acoustical panels
- 12,000cfm exhaust fan

### SITE LEGEND



**S5** STAGE 5 - PLAN  
 scale: 1/16" = 1' [1:192]

2400 BOUNDARY ROAD  
 BURNABY B.C. V5M3Z3  
 CANADA

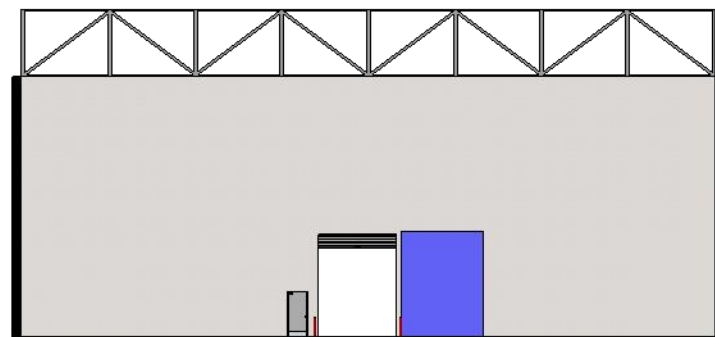
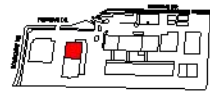
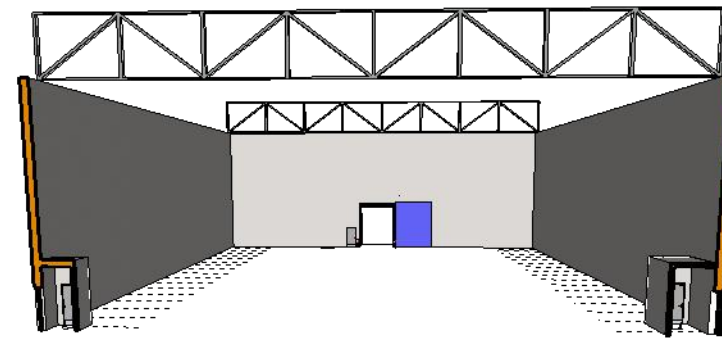
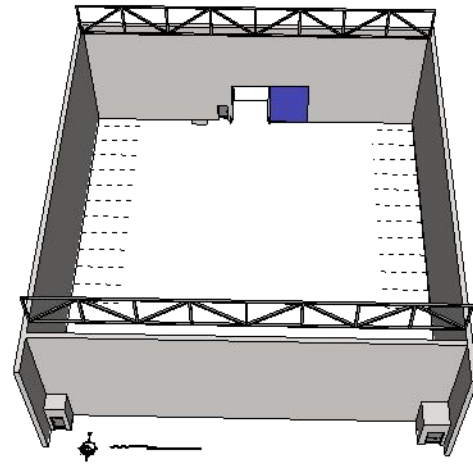
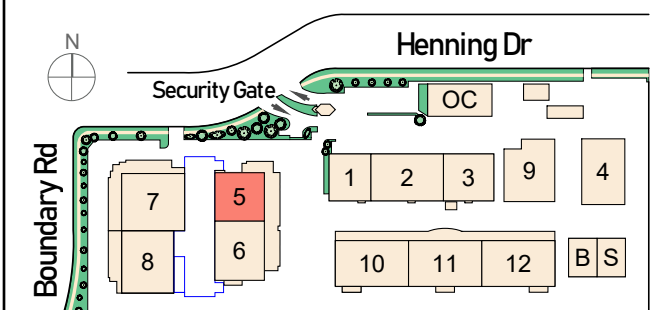
T: 604.482.2000  
 F: 604.482.2007

## SOUND STAGE: 5

### FEATURES

- 12,500 sq.ft. [1161.3m sq.]
- Soundproof
- Elephant Doors
- 3200amps 120/208v
- GRID = 4,600lbs./ point on Truss
- Interior is checkered acoustical panels
- 12,000cfm exhaust fan

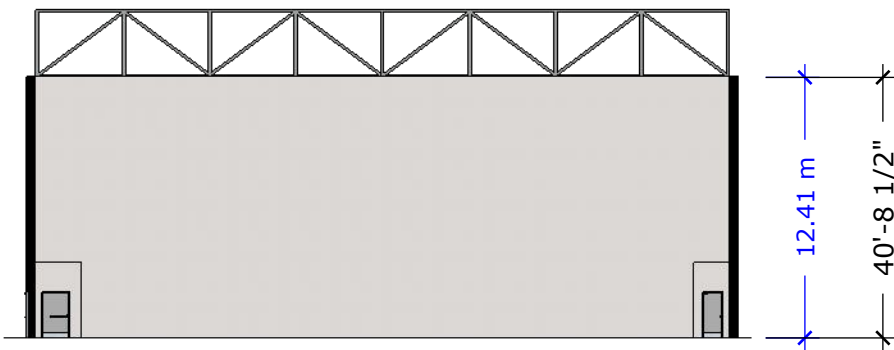
### SITE LEGEND



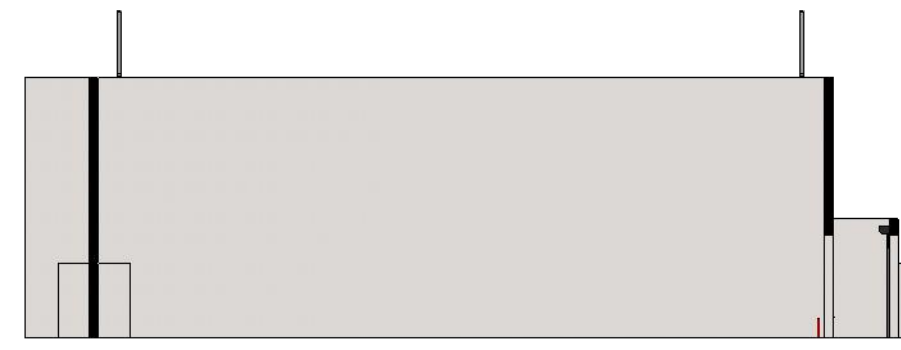
**N** ELEV NORTH  
 scale: 1" = 30' [1:360]



**E** ELEV EAST  
 scale: 1" = 30' [1:360]



**S** ELEV SOUTH  
 scale: 1" = 30' [1:360]



**W** ELEV WEST  
 scale: 1" = 30' [1:360]

